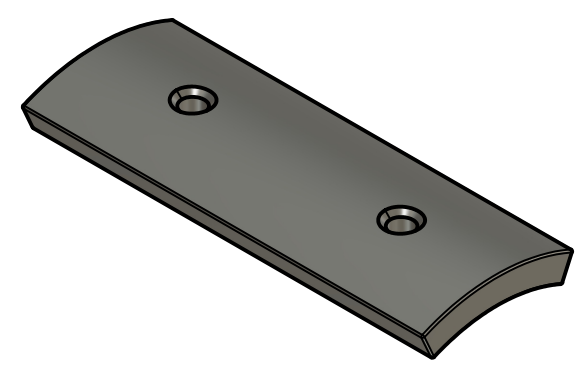
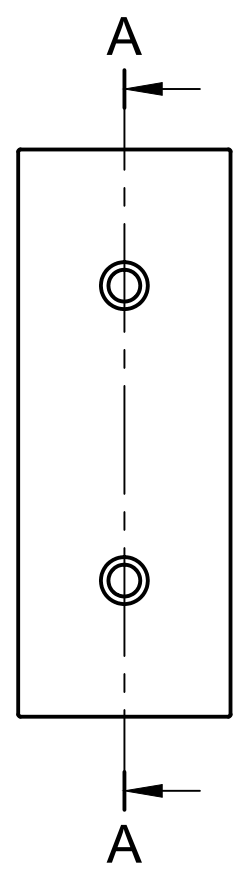
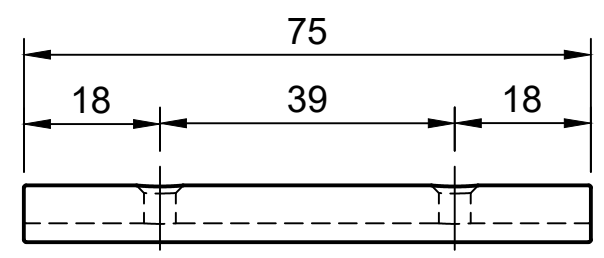
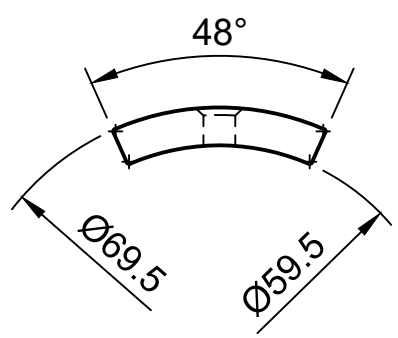
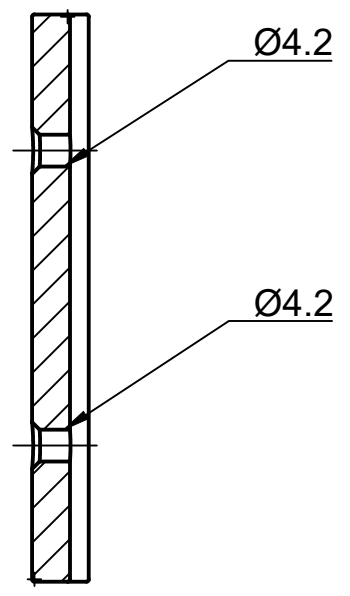


A-A (1:1)



|       |                     |  |                 |                     |
|-------|---------------------|--|-----------------|---------------------|
| Dept. | Technical reference | Created by<br><b>Laurent Moreau 11/02/2026</b>                         | Approved by     |                     |
|       |                     | Document type  | Document status |                     |
|       |                     | Title<br><b>Tuile aimant 48° - 75x5 mm<br/>NdFeB fritté anisotrope</b> | DWG No.         |                     |
|       |                     | Rev.   | Date of issue   | Sheet<br><b>1/1</b> |